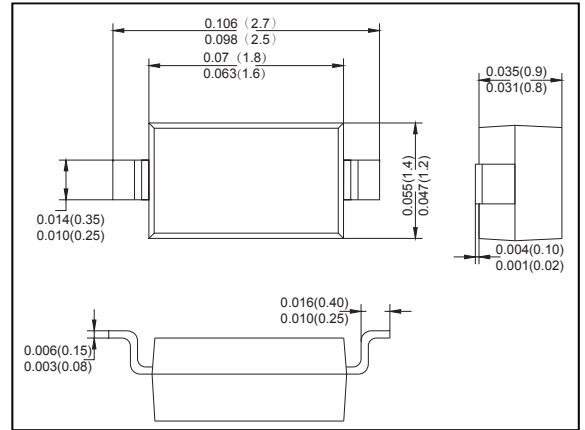


SOD-323 Fast Switching Diode
FEATURES

- Fast Switching Device (TRR <50 nS)
- Power Dissipation of 250mW
- High Stability and High Reliability
- Low reverse leakage

MECHANICAL DATA

- Case: SOD-323 Small Outline Plastic Package
- Polarity: Color band denotes cathode end
- Mounting Position: Any


MAXIMUM RATINGS AND CHARACTERISTICS

Ratings at 25 °C ambient temperature unless otherwise specified

Parameters	Symbol	Value	Unit
Reverse Voltage	VR	250	V
Peak Repetitive Reverse Voltage	VRRM	250	V
Power Dissipation	Pd	200	mW
Operating junction temperature	Tj	150	°C
Storage temperature range	Ts	-55-+150	°C
Thermal Resistance from Junction to Ambient	RθJA	635	°C/W
Average Rectified Current	IO	200	mA
Peak Forward Surge Current @tp=1us; TA=25°C	IFSM	20	A

Valid provided that electrodes are kept at ambient temperature

ELECTRICAL CHARACTERISTICS(TA=25°C unless otherwise specified)

Parameter	Symbols	Test Condition	Min	Max	Unit
Reverse Voltage	V _(BR)	IR=100uA	250		V
Reverse Leakage Current	I _R	VR=200V	---	100	nA
Forward Voltage	V _F	IF=100mA	---	1.0	V
		IF=200mA	---	1.25	
Reverse Recovery Time	T _{RR}	IF= IR=30mA	---	50	nS
		RL=100Ω			
Capacitance	CD	VR=0V, f=1MHZ	---	5.0	pF

RATINGS AND CHARACTERISTIC CURVES

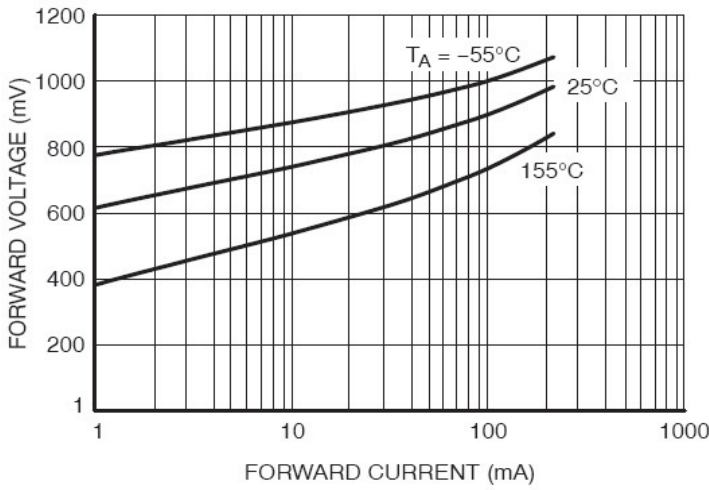


Figure 2. Forward Voltage

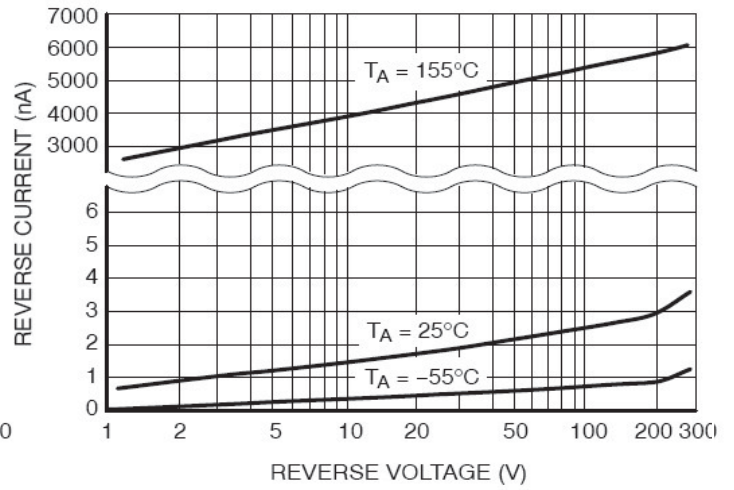


Figure 3. Reverse Leakage

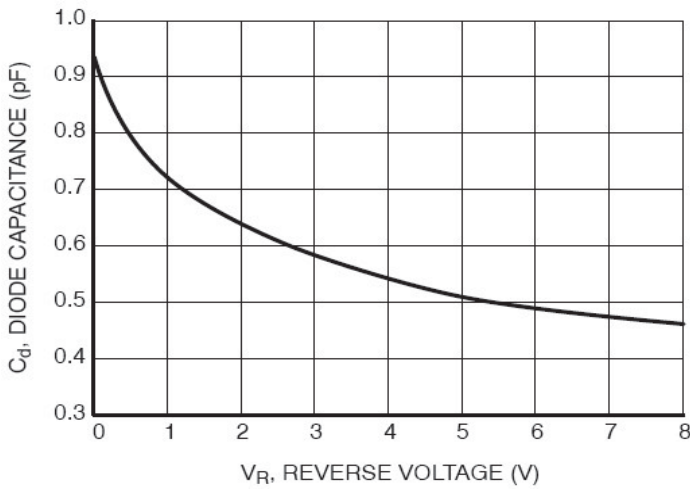


Figure 4. Diode Capacitance

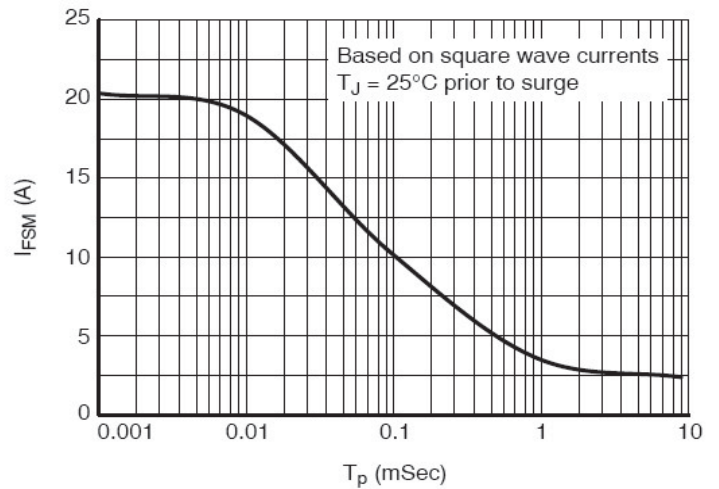


Figure 5. Maximum Non-repetitive Peak Forward Current as a Function of Pulse Duration, Typical Values